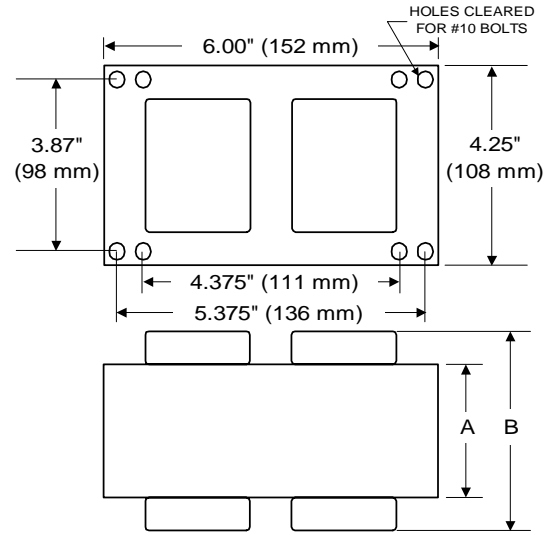


600W S-106
High Pressure Sodium
V90D2111
60 Hz CWA

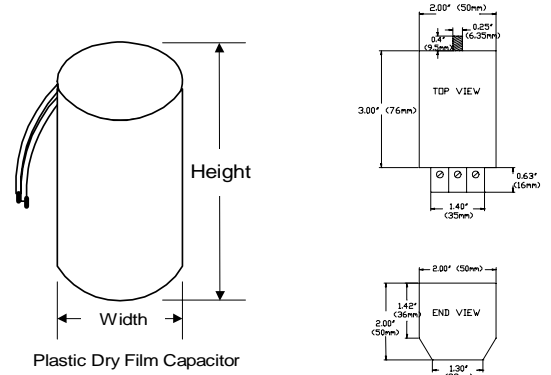
Input Volts	120	208	240	277
Line Current (Amps)				
Operating	5.85	3.25	2.95	2.55
Open Circuit	1.90	1.10	0.95	0.80
Starting	5.60	3.25	2.80	2.45
Regulation				
Line Volts	±10%	±10%	±10%	±10%
Lamp Watts	±10%	±10%	±10%	±10%
UL Temperature Ratings				
Insulation Class	H	H	H	H
Coil Temperature Code	A	A	A	A
Benchtop Coil Rise	73.9	69.1	74.8	74.7
Input Watts	695 W	695 W	695 W	695 W
NOM. Open Circuit Voltage	225	225	225	225
Power Factor	90%	90%	90%	90%
Current Crest Factor	1.65	1.65	1.65	1.65
Input Voltage At Lamp Dropout	70	120	140	160
MIN. Ambient Starting Temp.	-40°F -40°C	-40°F -40°C	-40°F -40°C	-40°F -40°C
60 HZ TEST PROCEDURES				
High Potential Test (Volts)				
1 Minute	1,600 V	1,600 V	1,600 V	1,600 V
1 Second	2,000 V	2,000 V	2,000 V	2,000 V
Open Circuit Voltage Test (V)	200 - 250	200 - 250	200 - 250	200 - 250
Short Circuit Current Test (A)				
Secondary Current Min	7.20	7.20	7.20	7.20
Max	8.80	8.80	8.80	8.80
Input Current Min	4.30	2.50	2.15	1.85
Max	6.50	3.75	3.25	2.80
Recommended Fuse (Amps)	17	10	8	8
CORE and COIL Specifications				
Dimension (A)	3.40 in	3.40 in	3.40 in	3.40 in
Dimension (B)	5.40 in	5.40 in	5.40 in	5.40 in
Weight (lbs.)	24.5 lb's	24.5 lb's	24.5 lb's	24.5 lb's
Lead Lengths	12"	12"	12"	12"
CAPACITOR Specifications				
Microfarads	59.0 uf	59.0 uf	59.0 uf	59.0 uf
Volts (min.)	300 V	300 V	300 V	300 V

4X6 CORE - HX, CWA & CWI UNITS



Capacitor: ACG325 Ignitor: BVS-046

Value: 59.0 uf Temp: 105 °C
Temp Rating 100 °C BTL: 20 ft
Height: 4.60 in
Dia/Oval Dim 1.75 in



Plastic Dry Film Capacitor

Ordering Information Add Suffix for options

- C - With Capacitor
- K - With Capacitor and Bracket Kit
- B - With Welded Bracket no cap

Data is based upon tests performed by Venture Lighting in a controlled environment and is representative of relative performance. Actual performance can vary depending on operating conditions. Specifications are subject to change without notice

9/23/2005 Production

