

1000W S52

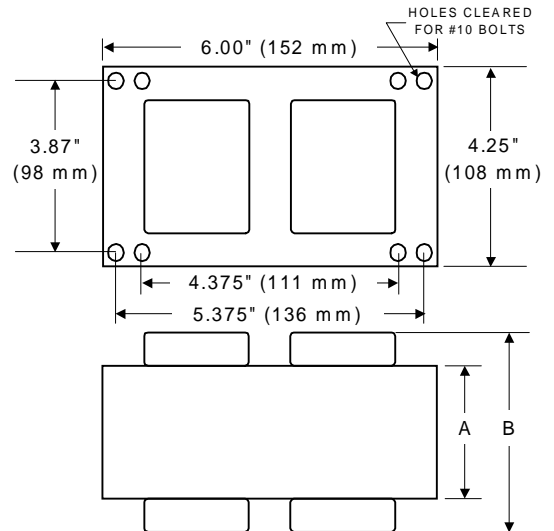
High Pressure Sodium

V90D2311

60 Hz CWA

Input Volts	120	208	240	277
Line Current (Amps)				
Operating	9.50	5.50	4.75	4.20
Open Circuit	4.80	2.75	2.40	2.05
Starting	7.20	4.15	3.60	3.10
Regulation				
Line Volts	±10%	±10%	±10%	±10%
Lamp Watts	±14%	±14%	±14%	±14%
UL Temperature Ratings				
Insulation Class	H	H	H	H
Coil Temperature Code	C	B	C	C
Benchtop Coil Rise	83.8	77.8	81.8	80.5
Input Watts	1100 W	1100 W	1100 W	1100 W
NOM. Open Circuit Voltage	425	425	425	425
Power Factor	90%	90%	90%	90%
Current Crest Factor	1.65	1.65	1.65	1.65
Input Voltage At Lamp Dropout	95	170	190	220
MIN. Ambient Starting Temp.	-40°F -40°C	-40°F -40°C	-40°F -40°C	-40°F -40°C
60 HZ TEST PROCEDURES				
High Potential Test (Volts)				
1 Minute	2,000 V	2,000 V	2,000 V	2,000 V
1 Second	2,400 V	2,400 V	2,400 V	2,400 V
Open Circuit Voltage Test (V)	380 - 470	380 - 470	380 - 470	380 - 470
Short Circuit Current Test (A)				
Secondary Current Min	6.20	6.20	6.20	6.20
Max	7.60	7.60	7.60	7.60
Input Current Min	5.20	3.15	2.60	2.35
Max	8.20	4.80	4.10	3.55
Recommended Fuse (Amps)	25	15	12	10
CORE and COIL Specifications				
Dimension (A)	3.75 in	3.75 in	3.75 in	3.75 in
Dimension (B)	5.90 in	5.90 in	5.90 in	5.90 in
Weight (lbs.)	28.0 lb's	28.0 lb's	28.0 lb's	28.0 lb's
Lead Lengths	12"	12"	12"	12"
CAPACITOR Specifications				
Microfarads	26.0 uf	26.0 uf	26.0 uf	26.0 uf
Volts (min.)	525 V	525 V	525 V	525 V

4X6 CORE - HX, CWA & CWI UNITS

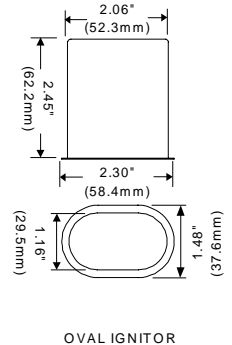
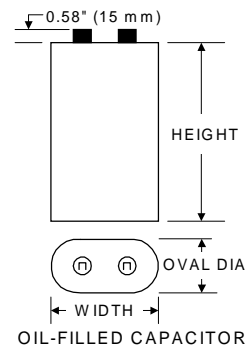


Capacitor: ACB2640V

Ignitor: BVS-020

Temp Rating: 90 °C
Height: 4.37 in
Dia/Oval Dim 1.97 in
Width 2.97

Temp: 105 °C
BTL: 2 ft



Ordering Information Add Suffix for options

- C - With Capacitor
- K - With Capacitor and Bracket Kit
- B - With Welded Bracket no cap

Data is based upon tests performed by Venture Lighting in a controlled environment and is representative of relative performance. Actual performance can vary depending on operating conditions. Specifications are subject to change without notice

11/30/00 Production

