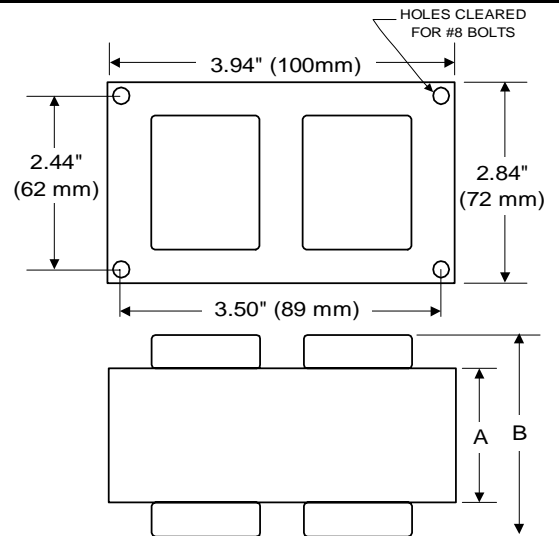


150W M107
Metal Halide
V90D6111M107
60 Hz CWA

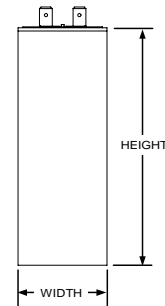
Input Volts	120	208	240	277
Line Current (Amps)				
Operating	1.80	1.10	0.90	0.80
Open Circuit	1.20	0.65	0.60	0.50
Starting	1.60	0.90	0.80	0.70
Regulation				
Line Volts	±10%	±10%	±10%	±10%
Lamp Watts	±7%	±7%	±7%	±7%
UL Temperature Ratings				
Insulation Class	H	H	H	H
Coil Temperature Code	C	D	D	C
Benchtop Coil Rise	80.0	89.7	85.8	84.7
Input Watts	185 W	185 W	185 W	185 W
NOM. Open Circuit Voltage	320	320	320	320
Power Factor	90%	90%	90%	90%
Current Crest Factor	1.70	1.70	1.70	1.70
Input Voltage At Lamp Dropout	65	115	130	150
MIN. Ambient Starting Temp.	-20°F -30°C	-20°F -30°C	-20°F -30°C	-20°F -30°C
60 HZ TEST PROCEDURES				
High Potential Test (Volts)				
1 Minute	1,650 V	1,650 V	1,650 V	1,650 V
1 Second	2,000 V	2,000 V	2,000 V	2,000 V
Open Circuit Voltage Test (V)	290 - 355	290 - 355	290 - 355	290 - 355
Short Circuit Current Test (A)				
Secondary Current				
Min	1.55	1.55	1.55	1.55
Max	1.95	1.95	1.95	1.95
Input Current				
Min	1.20	0.65	0.60	0.50
Max	1.80	1.05	0.90	0.80
Recommended Fuse (Amps)	5	3	3	2
CORE and COIL Specifications				
Dimension (A)	2.22 in	2.22 in	2.22 in	2.22 in
Dimension (B)	3.60 in	3.60 in	3.60 in	3.60 in
Weight (lbs.)	6.8 lb's	6.8 lb's	6.8 lb's	6.8 lb's
Lead Lengths	12 "	12 "	12 "	12 "
CAPACITOR Specifications				
Microfarads	10.0 uf	10.0 uf	10.0 uf	10.0 uf
Volts (min.)	400 V	400 V	400 V	400 V

3X4 CORE - HX, CWA & CWI UNITS



Capacitor: ACH279 Ignitor: None

Value: 10.0 uf
Temp Rating 100 °C
Height: 3.69 in
Dia/Oval Dim 1.61 in



Dry Film Capacitor with Terminals

**This Ballast
Does Not
Require
An Ignitor**

Ordering Information Add Suffix for options

- C - With Capacitor
- K - With Capacitor and Bracket Kit
- B - With Welded Bracket no cap

Data is based upon tests performed by Venture Lighting in a controlled environment and is representative of relative performance. Actual performance can vary depending on operating conditions. Specifications are subject to change without notice

12/16/2004 Production

