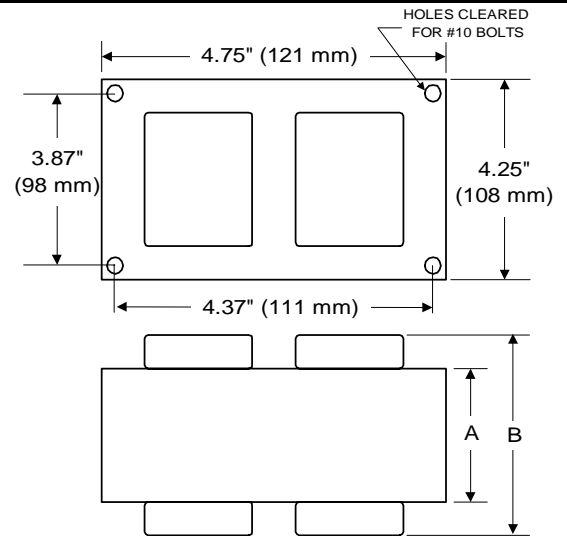


**400W M59**  
**Metal Halide**  
**V90D6412**  
**60 Hz CWA**

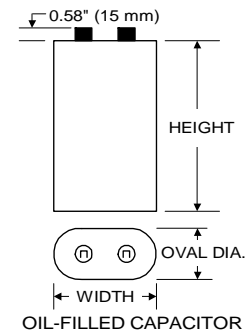
Input Volts	120	208	240	277
Line Current ( Amps )				
Operating	4.00	2.30	2.00	1.75
Open Circuit	3.50	2.00	1.75	1.50
Starting	2.80	1.60	1.40	1.20
Regulation				
Line Volts	±10%	±10%	±10%	±10%
Lamp Watts	±8%	±8%	±8%	±8%
UL Temperature Ratings				
Insulation Class	H	H	H	H
Coil Temperature Code	C	D	D	D
Benchtop Coil Rise	83.3	87.0	86.8	89.8
Input Watts	452 W	452 W	452 W	452 W
NOM. Open Circuit Voltage	300	300	300	300
Power Factor	90%	90%	90%	90%
Current Crest Factor	1.70	1.70	1.70	1.70
Input Voltage At Lamp Dropout	55	95	110	130
MIN. Ambient Starting Temp.	-20°F -30°C	-20°F -30°C	-20°F -30°C	-20°F -30°C
60 HZ TEST PROCEDURES				
High Potential Test (Volts)				
1 Minute	1,650 V	1,650 V	1,650 V	1,650 V
1 Second	2,000 V	2,000 V	2,000 V	2,000 V
Open Circuit Voltage Test (V)	270 - 330	270 - 330	270 - 330	270 - 330
Short Circuit Current Test (A)				
Secondary Current Min	3.45	3.45	3.45	3.45
Max	4.25	4.25	4.25	4.25
Input Current Min	2.20	1.25	1.10	0.95
Max	3.40	2.00	1.70	1.45
Recommended Fuse (Amps)	10	6	5	5
CORE and COIL Specifications				
Dimension (A)	2.00 in	2.00 in	2.00 in	2.00 in
Dimension (B)	3.90 in	3.90 in	3.90 in	3.90 in
Weight (lbs.)	11.7 lb's	11.7 lb's	11.7 lb's	11.7 lb's
Lead Lengths	12"	12"	12"	12"
CAPACITOR Specifications				
Microfarads	24.0 uf	24.0 uf	24.0 uf	24.0 uf
Volts (min.)	360 V	360 V	360 V	360 V

**4X4 CORE - HX, CWA & CWI UNITS**



Capacitor: ACB2470V Ignitor: None

Value: 24.0 uf  
Temp Rating 100 °C  
Height: 3.87 in  
Dia/Oval Dim 1.97 in



**This Ballast Does Not Require An Ignitor**

**Ordering Information Add Suffix for options**

- C - With Capacitor
- K - With Capacitor and Bracket Kit
- B - With Welded Bracket no cap

Data is based upon tests performed by Venture Lighting in a controlled environment and is representative of relative performance. Actual performance can vary depending on operating conditions. Specifications are subject to change without notice

