

1000W M47

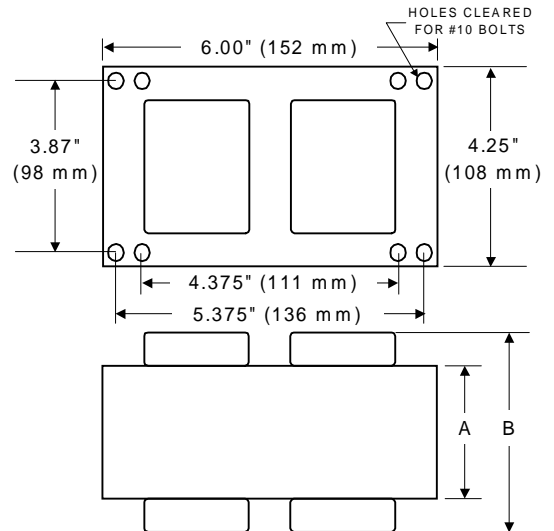
Metal Halide

V90D6514

60 Hz CWA

Input Volts	120	208	240	277
Line Current (Amps)				
Operating	9.00	5.20	4.50	3.90
Open Circuit	6.00	3.50	3.00	2.60
Starting	6.00	3.50	3.00	2.60
Regulation				
Line Volts	±10%	±10%	±10%	±10%
Lamp Watts	±10%	±10%	±10%	±10%
UL Temperature Ratings				
Insulation Class	H	H	H	H
Coil Temperature Code	D	A	A	A
Benchtop Coil Rise	86.9	68.2	74.1	74.2
Input Watts	1080 W	1080 W	1080 W	1080 W
NOM. Open Circuit Voltage	420	420	420	420
Power Factor	90%	90%	90%	90%
Current Crest Factor	1.60	1.60	1.60	1.60
Input Voltage At Lamp Dropout	70	125	140	160
MIN. Ambient Starting Temp.	-20°F -30°C	-20°F -30°C	-20°F -30°C	-20°F -30°C
60 HZ TEST PROCEDURES				
High Potential Test (Volts)				
1 Minute	1,650 V	1,650 V	1,650 V	1,650 V
1 Second	2,000 V	2,000 V	2,000 V	2,000 V
Open Circuit Voltage Test (V)	380 - 460	380 - 460	380 - 460	380 - 460
Short Circuit Current Test (A)				
Secondary Current Min	4.75	4.75	4.75	4.75
Max	5.85	5.85	5.85	5.85
Input Current Min	4.80	2.80	2.40	2.10
Max	7.20	4.20	3.60	3.15
Recommended Fuse (Amps)	25	15	12	10
CORE and COIL Specifications				
Dimension (A)	2.80 in	2.80 in	2.80 in	2.80 in
Dimension (B)	4.80 in	4.80 in	4.80 in	4.80 in
Weight (lbs.)	21.0 lb's	21.0 lb's	21.0 lb's	21.0 lb's
Lead Lengths	12"	12"	12"	12"
CAPACITOR Specifications				
Microfarads	24.0 uf	24.0 uf	24.0 uf	24.0 uf
Volts (min.)	480 V	480 V	480 V	480 V

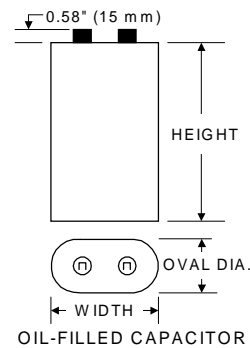
4X6 CORE - HX, CWA & CWI UNITS



Capacitor: ACB2200V

Ignitor: None

Temp Rating: 90 °C
Height: 4.37 in
Dia/Oval Dim 1.97 in
Width 2.97



Ordering Information Add Suffix for options

- C - With Capacitor
- K - With Capacitor and Bracket Kit
- B - With Welded Bracket no cap

Data is based upon tests performed by Venture Lighting in a controlled environment and is representative of relative performance. Actual performance can vary depending on operating conditions. Specifications are subject to change without notice

12/18/00 Production

